

Part number

CHI 32 CS



Brief description:

bulkhead mounting housings with 4 pegs, size "77.62", metal cover, metal version, IP65

Product description

| | |
|--------------|--------------------------------|
| Version | metal version |
| Series | Bulkhead housings, with 4 pegs |
| Product type | with 4 pegs and gasket |
| Variant | metal cover |
| Family | CLASS enclosures |
| Size | size "77.62" |

Technical data

| | |
|--|------------------|
| Operating temperature range (min, max) | -40°C ... +125°C |
| Material | metal |
| IP degree of protection | IP65 |

Further technical details

| | |
|--------|----------|
| Weight | 300,00 g |
|--------|----------|

Approvals / Standards

| | |
|--------------|---|
| Quality mark |  (type:4/4X/12),  , EAC |
| Conformity | CQC, CE |

General ordering information

| | |
|---------------|---------------|
| EAN13 code | 8015747018524 |
| Tariff number | 85369095 |

Packaging Information

| | |
|---------------------------|----------------------|
| Packaging length | 150,00 mm |
| Packaging height | 125,00 mm |
| Packaging width | 225,00 mm |
| Packaging weight | 1,40 kg |
| Packaging volume | 4,22 dm ³ |
| Packaging description | Carton box |
| Packaging quantity | 4 Pcs |
| Packaging EAN code | 8015747210416 |
| Sub-packaging weight | 0,35 kg |
| Sub-packaging description | Plastic packaging |
| Sub-packaging quantity | 1 Pcs |
| Sub-packaging EAN barcode | 8015747018548 |

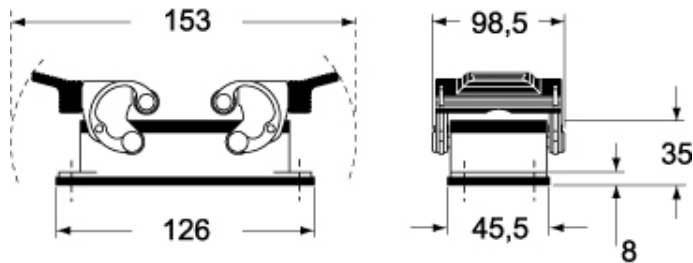
Part number

CHI 32 CS

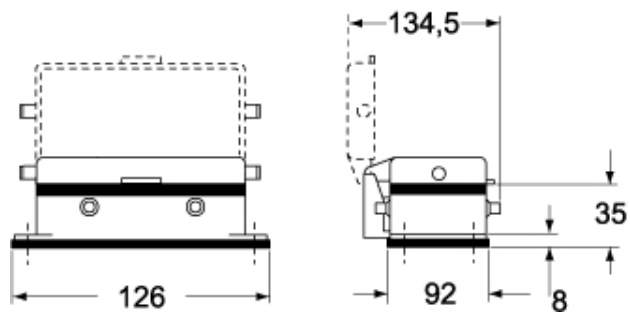


Catalogue drawings

CHI



CHI CS/CP



Catalogue drawings

